

Release Service Signal Silence Station

For Canadian Applications



Effective: May 2020
K-76-803

FEATURES

- Supports intelligent addressable applications with ARIES®-MLX or ARIES® NETLink Control Unit
- Meets requirements of ULC-S527-11
- Surface Mount
- Includes Model AI Addressable Monitor Module, N.O.
- Double Gang Box Sized
- Red Lettering on Stainless Steel
- cULus Listed

DESCRIPTION

The Kidde Fire Systems Release Service Signal Silence Station for Canadian Applications allows release service signals to be silenced by turning a key switch in a mounted external box located near the control unit. When used with the ARIES®-MLX or ARIES® NETLink control units, the system supports applications that require compliance to ULC-S527-11 3rd edition.

The backbox is painted red enamel and is provided with 5½-in. and ¾-in. knockouts. The pre-drilled and tapped hole configurations allow for easy installation of the faceplate.

The faceplate is finished in brushed stainless steel with red lettering, and includes mounting hardware for joining to the backbox.

TECHNICAL SPECIFICATIONS

Operating

Temperature: -31°F to 151°F (-35°C to 66°C)

Terminals: Accepts 14-24 AWG wire

Mounting: Four 6-32 x 1/2-inch mounting screws included

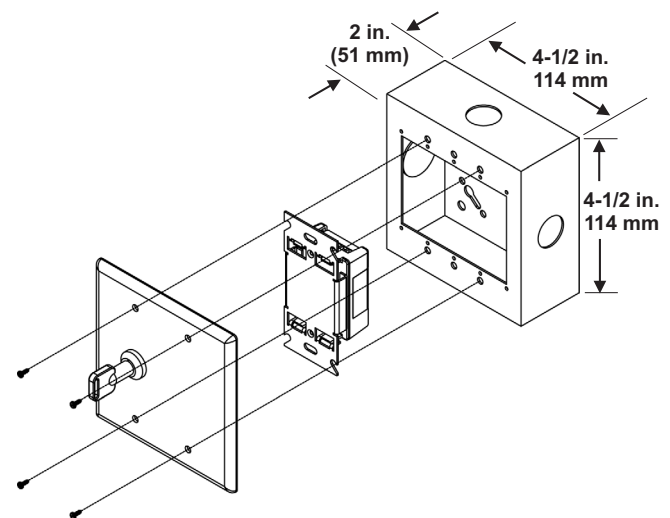


Figure 1. Dimension Details

ORDERING INFORMATION

Part Number	Description	Shipping Weight
76-800600-101	Canadian Release Service Signal Silence Station (Includes Faceplate with Key Switch, Back Box, and N.O Model AI Addressable Monitor Module)	2 lb. (0.9 kg)

ARIES is a registered trademark of Kidde-Fenwal, Inc., or its parents, subsidiaries or affiliates.

This literature is provided for informational purposes only. KIDDE-FENWAL, INC. believes this data to be accurate, but it is published and presented without any guarantee or warranty whatsoever. KIDDE-FENWAL, INC. assumes no responsibility for the product's suitability for a particular application. Product features specified are only applicable when the fire suppression system is correctly designed, installed, maintained and serviced by trained, authorized Kidde Fire Systems distributors as per the applicable design, installation, operation, and maintenance manuals. If you need more information on this product, or if you have a particular problem or question, contact: KIDDE-FENWAL, INC., Ashland, MA 01721 USA, Telephone: (508) 881-2000.



K-76-803 Rev AB
©2020 Kidde-Fenwal, Inc.

EXPORT INFORMATION (USA)
Jurisdiction: EAR
Classification: EAR99
This document contains technical data subject to the EAR.

Kidde Fire Systems
400 Main Street
Ashland, MA 01721
Ph: 508.881.2000
Fax: 508.881.8920
www.kiddefiresystems.com